

Uni-BRACE™

Wall, Floor, Ceiling
Sleeve and Brace for
EMT and Rigid Conduit

Precision Machined
Solid Steel Construction
Zinc or Galvanized Plated
Color Coded Available
Made in the USA

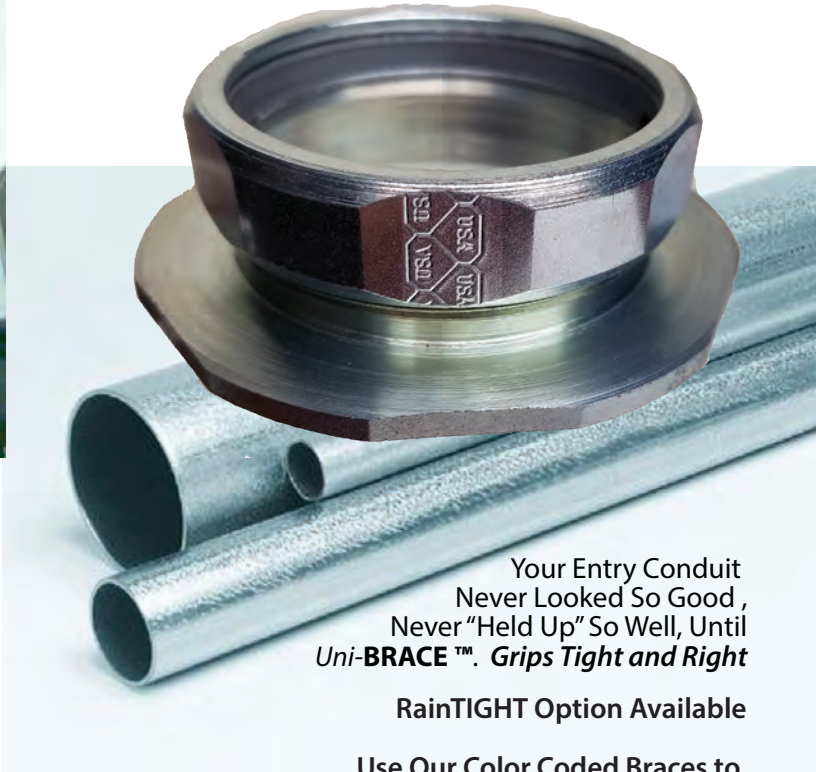
Think American



Finally, a Unique Thru-the-Wall Solution



Use as a Sleeve, Brace, or Thru the Wall Support
Add a Length of Your Conduit for an Exact Length Sleeve
Use Two as a Double Brace to Support Your Long Conduit Runs



Will Not Bend, Flex, or Crack

Patented
Made in the USA

Close and Seal Wall, Floor or Ceiling Openings
Brace and Support 2" to 4" EMT or Rigid Conduit
No Screws Required to Hold or Support Brace,
Slides On Conduit to Position Then Simply Tighten
The Perfect Clean Entry Closure in Public Areas

Your Entry Conduit
Never Looked So Good,
Never "Held Up" So Well, Until
Uni-BRACE™. Grips Tight and Right

RainTIGHT Option Available

Use Our Color Coded Braces to
Easily Identify Your Wiring Runs

Time to ReThink Your Supports & Conduit Sleeves

AMERICAN FITTINGS
Corporation



Manufactured in the USA Since 1946

Products You Can Trust

AMERICAN FITTINGS

Alloy Steel Conduit Brace for EMT and Rigid Conduit Made in the USA



A Complete Out of the Box Bracing or Conduit Sleeve Solution - "Just Add Your Conduit"



Uni-BRACE™

Available in Trade Size 2" - 4"

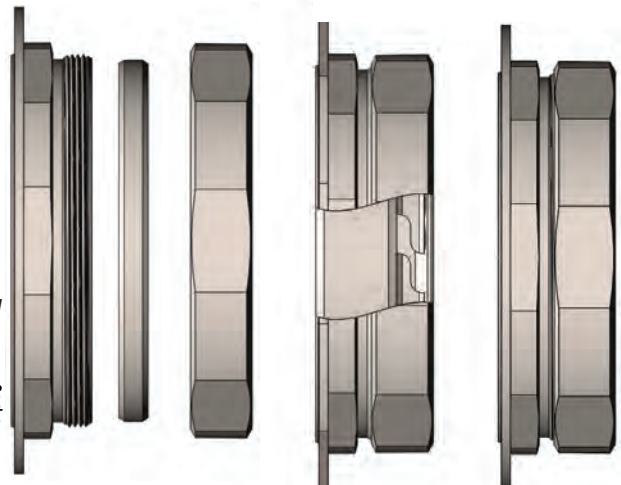
PATENTED

Fully Supports Conduit and Prohibits Conduit from Moving

Integrated Alloy Steel Zinc Plated Escutcheon Plate

Smooth ID & Rounded Edges Provides a Fast and Safe Wire Pull

No Bushing Required RainTight Option Available Sealing Ring and Gasket



Precision Machined Threads on Connector Body & Nut Patented Compression Ring

Steel Construction, Zinc Plated, Chromate Compression Connector

Flat Wrenching Surface, Accommodates Channel Lock to Wrench Secure

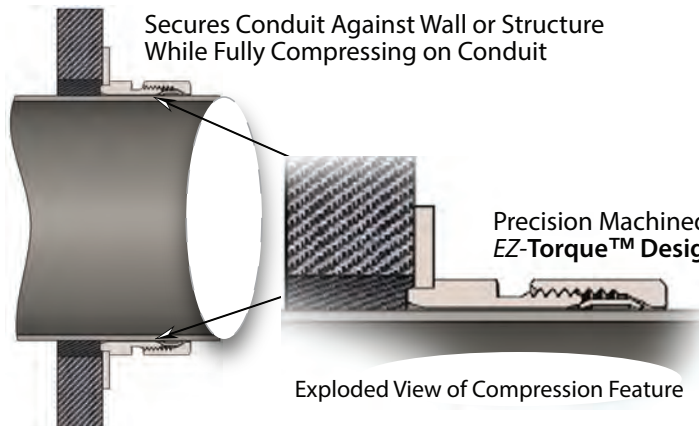
No Need to Disassemble, Simply Loosen Nut and Slide on Conduit

Once Tightened, Completely Braces and Secures Conduit from Forward, Backward & Lateral Movement

UL 2 1/2" to 4" Compression Fittings Are Rated & Listed by UL for Use on Either EMT & Rigid Conduit

Fully Machined ID to Assist and Provide a Fast & Easy Wire Pull NEVER a Burr or Edge

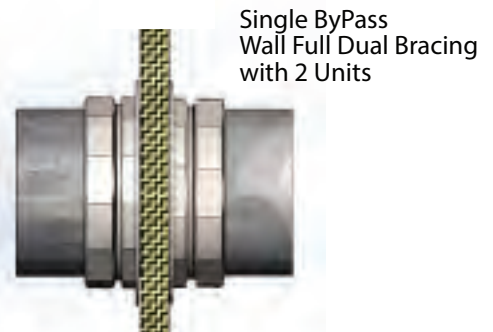
Low Profile, Modern Design to Blend with Conduit



Secures Conduit Against Wall or Structure While Fully Compressing on Conduit

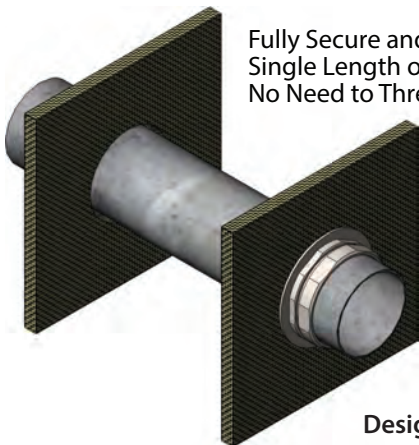
Precision Machined Steel Threads EZ-Torque™ Design

Exploded View of Compression Feature

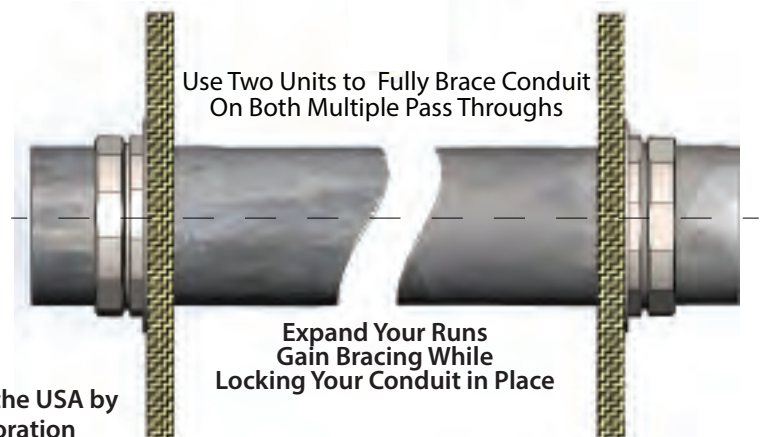


Single Bypass Wall Full Dual Bracing with 2 Units

Uni-BRACE™ Locks Tight & Right, Can be Removed and Repositioned



Fully Secure and Brace Single Length or Extended Conduit Runs No Need to Thread Conduit



Use Two Units to Fully Brace Conduit On Both Multiple Pass Throughs

Expand Your Runs Gain Bracing While Locking Your Conduit in Place

Designed & Manufactured in the USA by AMERICAN FITTINGS Corporation

AMERICAN FITTINGS

Alloy Steel Conduit Brace for EMT and Rigid Conduit Made in the USA



Since 1946

**SPEC-grade™
fittings**

Wall Penetration Sleeve and Conduit Brace

Size Range: 2" to 4" Alloy Steel

Zinc Plated with Chromate Finish ***
2-1/2" through 4" Compression Fittings are
UL Listed & Approved for Both EMT & Rigid Conduit *
EMT, Rigid and IMC Conduit *
Conduit Brace and Wall Sleeve Can Be Used for
EMT and Rigid Conduit on
Internal & External Walls, & Enclosure, Boxes

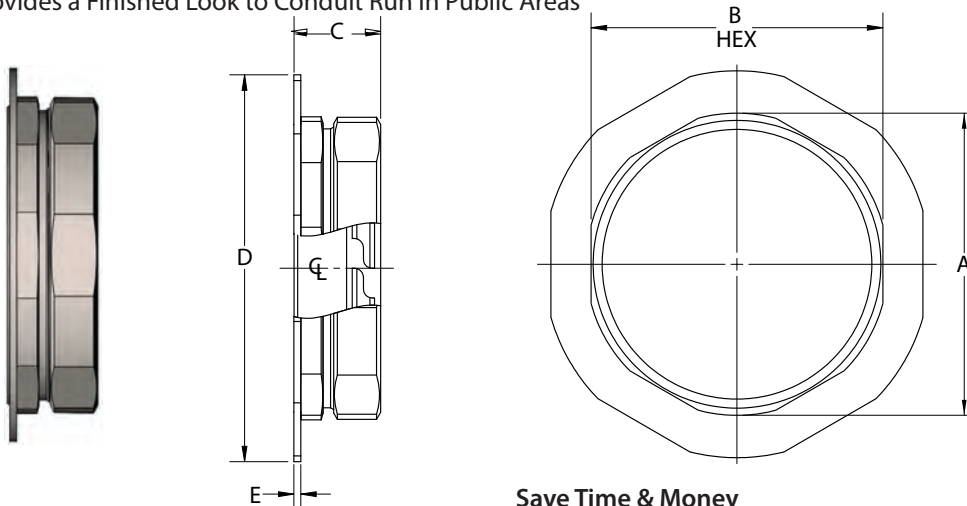
Featuring:
Connector Body & Compression Nut
Machined from Solid Alloy Steel Bar Stock

Flat Hex Surfaces for Full and EZ-Torque™
Fully Precisioned Machine Cut Threads
Galvanized Plating Option Available **
US Patented Design

Locks Your Conduit in Place on Single or Both Ends of Walls, Ceilings. or Floors
Fully Supports and Braces Conduit Loads
Provides Supports Where Straps and Hangers Cannot be Used
Creates and Seals Entry Through Holes
Provides a Finished Look to Conduit Run in Public Areas



Patented



Save Time & Money

No Need to Thread Rigid Conduit Provides Full Support and Bracing
No Need to Cut Pipe for Pass-Through Walls, Run Full Length of Pipe

Catalog #	Trade Size	A Diameter "	B Hex "	C Overall Length "	D Flange OD "	E Flange Length "	Weight Per Unit lbs.
ERCB200*	2"	2-11/16	2-9/16	1-3/8	3-3/8	3/16	.45
ERCB250	2-1/2"	3-3/8	3-1/4	1-5/16	4	3/16	.60
ERCB300	3"	4	3-15/16	1-7/16	4-9/16	3/16	.80
ERCB350	3-1/2"	4-9/16	4-7/16	1-7/16	5-1/8	3/16	1.25
ERCB400	4"	5-1/16	4-15/16	1-11/16	6-1/2	3/16	1.85

* 2" rated for EMT Only ** Plating Options: Galvanized Plating Option: Add suffix "G" to cat #
Dimensions shown are + 1/16" - 1/32"

Compliances:

Certified Made in the USA
Compression Fittings Are UL Listed

Rated Mil-STD 810 Sinusoidal Vibration Test
Federal Standard A-A-50553
Compression Fittings Comply to UL Standards: 514B, 467
CA Prop.65 Compliance
RoHS Compliant

**Uni-BRACE™ Can Be Color Coded
QUICKLY IDENTIFY CRITICAL SYSTEMS**

Fire alarms, security systems, fiber optics,
high- and low-voltage circuits, data circuit with
Color Coded Uni-BRACE™ for Your
Thru-the-Wall Sleeves and Conduit Runs.



We Are the Perfect Connection for

Agriculture
Alternative Energy
Data Centers
Federal & State Projects
Food Processing & Production
Hospitals and Medical Centers
Industrial Applications



Infrastructure Construction
Military Bases
OEM Equipment
Oil & Gas Projects
Paper & Pulp
Transportation
Waste Water Treatment

Innovating the Next Generation of Electrical Fittings

Founded in 1946, a family owned and operated, 3rd generation business, we have grown into the world's largest manufacturer of alloy steel electrical fittings. Headquartered in New Jersey, all products are sold exclusively through Authorized Stocking Distributors. Our products are made in the USA, and they will exceed your requirements and expectations, not your budget. We never apologize why our products are made in America; we suggest you ask our competitors "why they don't"! Random lot shipping inspection in a foreign country can never replace integrity manufactured into raw materials and manufacturing in this country. Don't consider us as just a government project supplier, consider us as your fitting supplier for all types of projects.

Who says, integrity and quality of products have to be expensive?

Discover our product differentiators, reduction in your installation time, and improvement in your application... **We Guarantee It!**

We Are the **ONLY** Manufacturer of a Full Range of Steel Electrical Fittings Made in the USA

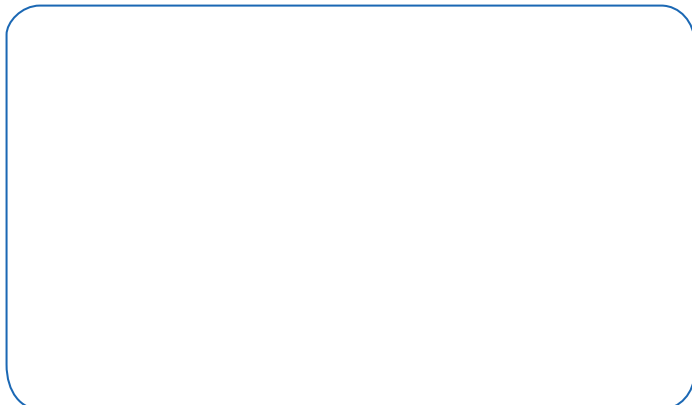
Request Our Full-Line Catalog or
AMFICO Ground Hub Brochure
Cord Connectors Catalog
EMT Fittings Catalog
Liquid Tight Fittings Catalog
Rigid Conduit Products Catalog
SPECflex™ FMC Connector Catalog
Teck Fittings - SPECteck
UniBRACE™ Conduit Sleeves
Accessories Catalog
Product Samples

AMFICO™

Made in the USA Since 1946



Sold Exclusively Through Authorized Distributors



Manufacturing and Corporate Offices
AMERICAN FITTINGS Corporation
17-10 Willow Street Fair Lawn, NJ 07410
t: 800.221.5268 | f: 201.664.1175

Online: amftgs.com e: info@amftgs.com



Quality has one name, AMERICAN